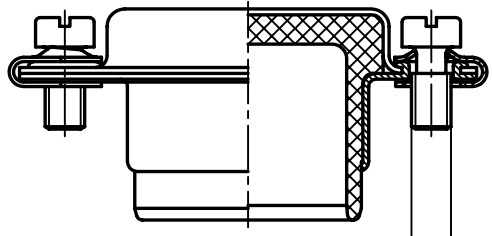
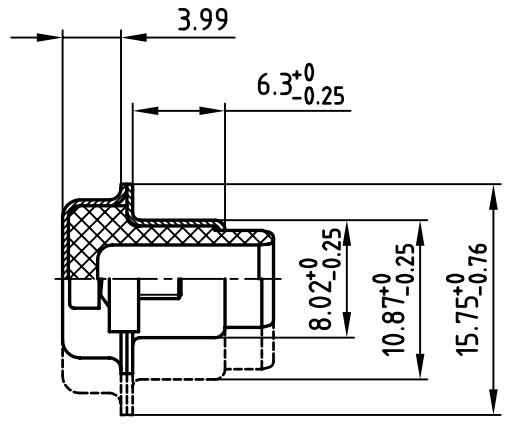
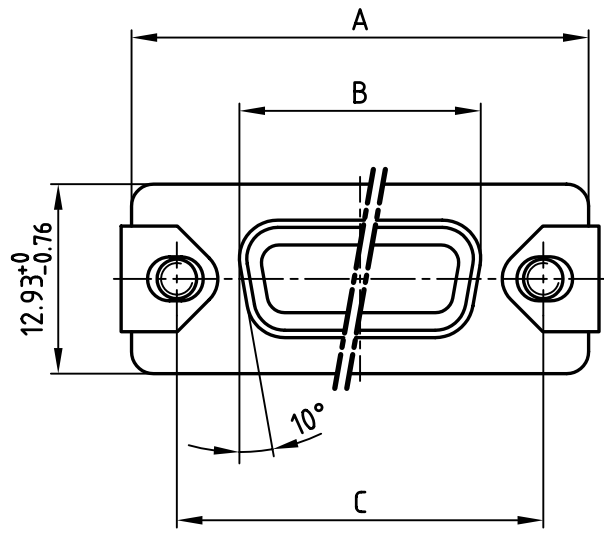


used for: D-SUB



4-40 UNC

Part No:	Shellsize	A ^{-0.76}	B ^{-0.25}	C
165X14769X	1	31.19	16.46	25.00 ^{+0.12} / _{-0.13}
165X14779X	2	39.52	24.79	33.30 ^{+0.15} / _{-0.1}
165X14789X	3	53.42	38.50	47.04 ±0.13
165X14799X	4	69.70	54.96	63.50 ±0.13
165X14809X	5	67.31	52.55	61.10 ^{+0.14} / _{-0.11}

NOTES:

1. METALSHELLS: STEEL; min. 320µ" TIN
2. INSULATORS: TPE
3. CLAMPS: STEEL NICKEL PLATED
4. SCREWS: STEEL NICKEL PLATED

Directive 2002/95/EC
"RoHS"
Compliant

THIS DRAWING MAY NOT BE COPIED OR REPRODUCED IN ANY WAY, AND MAY NOT BE PASSED ON TO A THIRD PARTY WITHOUT WRITTEN PERMISSION. OWNERSHIP AND COPYRIGHT OF CONEC GmbH DO NOT ALTER CAD DRAWING BY HAND

tolerance			
2001	date	name	
drawn	10.09.	E. Mickenbecker	
appd.	10.09.	A. Mickenbecker	
norm	DIN 41652		
d-old			
rev.	description	date	name



scale:	2:1	
material:	SEE NOTES	
title:	HOOD 9-50pos. for plug connector water resistant, shielded for EMI/RFI	
dwg no:	AutoCAD 2000	DIN-A
	16K1A290A	4
part no:	SEE TABLE	
		sh: 1/1